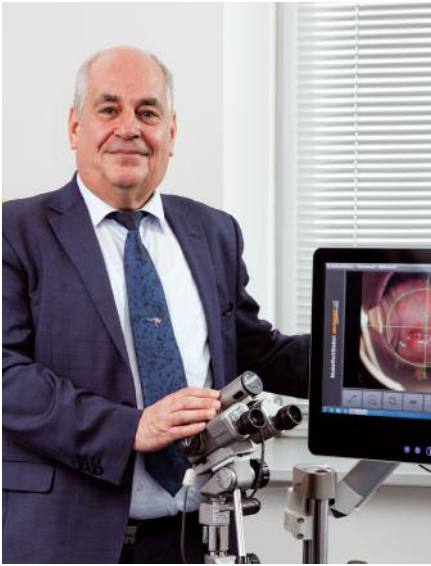


EUROPE



COLPOSCOPES
& ASSOCIATED EQUIPMENT

LEISEGANG 
THE COLPSCOPE COMPANY



Dr. Thomas Kupferschmidt
Sales Director

Dear customers,

With over 65 years of experience in the development and production of colposcopes, the name Leisegang stands for traditional German engineering excellence. Throughout our history we have focused exclusively on colposcopy and now export to over 70 countries worldwide.

The use of high-quality optics, the utilization of white-light LED lighting with nearly optimal colour rendering and a high degree of hand-finished manufacturing are the hallmarks of our exceptional quality. As a result, we are recognised worldwide as the 'Gold Standard' in colposcopy.

As a subsidiary of the American CooperSurgical Group, we are able to offer you both a full range of products related to the dysplasia consultation and technical expertise all in one.

We thank you for your interest.

Your Leisegang Team

Table of Contents

	What is colposcopy?	3
	Six good reasons for choosing Leisegang	4
	Colposcopes	7
	Stands	13
	Associated Equipment	17
	MediaWorkStation	20
	Quick Finder	22
	Orders	23
	Product Finder	24
	Training Centre & Contacts	25

What is colposcopy?

Colposcopy first emerged as a science in the 1920s. In 1925, the German doctor Hans Hinselmann examined and classified a number of epithelial abnormalities and colposcopy was founded. The term comes from the Greek 'kolpos', meaning 'vagina' and 'scopia' meaning 'look at'. In establishing colposcopy, Hinselmann made a decisive contribution to the early detection of cervical cancer.

Today, colposcopy also plays an important role in the early detection of preinvasive and invasive epithelial abnormalities in the genital tract:

- Cervical carcinoma is the second highest cause of death in women worldwide;
- More than half a million women worldwide suffer from this type of carcinoma per year;
- Half of them die from the effects of this cancer.

If detected early, cervical cancer can be treated. Naturally, the quality of the colposcope is crucial in this respect. Leisegang Colposcopes deliver a 3D picture due to their excellent optics, various levels of magnification, and first-class illumination. As a result, early and correct diagnosis is possible and lives can be saved.

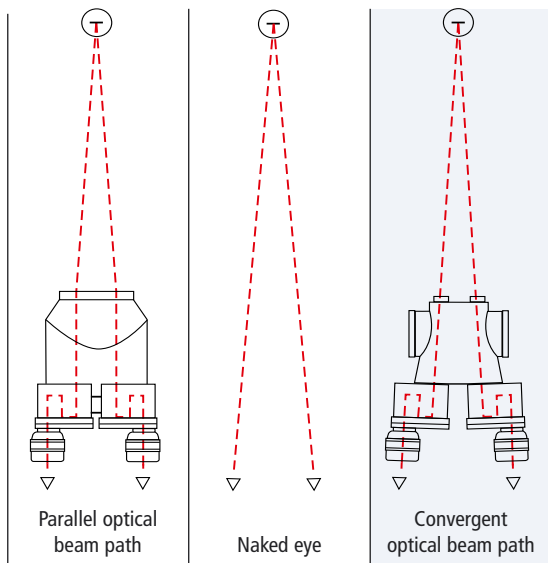
Intended Use

Leisegang colposcopes are used in gynaecological examinations to provide enlarged, non-contact visualization of the female external genitalia (vulva, vagina, vaginal portion of cervix). The colposcopes can also be used for enlarged, non-contact visualization of other external organs.

Leisegang photo/video colposcopes with integrated or externally connected camera can also be used to document the findings.

Leisegang colposcopes are intended for diagnostic purposes only. Leisegang Feinmechanik-Optik GmbH recommends that further cytological examinations be carried out to confirm the diagnosis.

Six good reasons for choosing LEISEGANG



1 Convergent Optics

Unlike the parallel optics often found elsewhere on the market, Leisegang offers convergent optics for fatigue-free work. The advantage of convergent optics is that light beams come together at a working distance of 300mm, meaning that the eyes do not have to focus at this distance themselves.

2 Ergonomic Design

Decades of experience and a sophisticated design contribute to user-friendly handling and slim design.

Ergonomic adjustment drives for height, focus and angle tilting allow exact positioning to millimetric accuracy. Detachable rings for ocular covers enable use of the colposcope with glasses.



The whole field of view is also visible while using the colposcope with glasses

3 LED Lighting

All Leisegang colposcopes are equipped with continuously adjustable white-light LED lighting. A higher light intensity allows a clearly superior contrast, leading to a more precise diagnosis. Leisegang provides an extremely bright LED spotlight with a lighting strength of 45,000–52,000 Lux at a working distance of 300mm



4 Comfortable Stands

Whether mobile or fixed to an examination chair, Leisegang stands are characterized by an ease of use and a low space requirement.

A slim, sophisticated design provides reliable stability, allowing maximum possible movement for precise positioning.



5 Upgrading

Leisegang offers, amongst others, photo/video adaptors as associated equipment. By using these adaptors, standard colposcopes can also be retrofitted as photo/video colposcopes, so even with a standard colposcope it is possible to document diagnoses.

6 Durability

A Leisegang colposcope is a great investment from a durability point of view, with even lamp replacement being unnecessary. It's an investment that will pay off.



Even today, these devices are still used in medical practices:

Model II,
(from the 1960s)

Model IA,
(from the 1970s)

Model III b,
(from the 1980s)



Six good reasons for choosing LEISEGANG

Selected References:

Germany

Universitätsklinik Hamburg-Eppendorf

Katholisches Klinikum Mainz

Helios Klinikum Berlin-Buch

Ernst von Bergmann Klinikum, Potsdam

Universitätsklinikum Tübingen

International

Johns Hopkins Hospital, Baltimore, USA

Yale University – New Haven, CT, USA

Chu Bichat-Cl. Bernard, Paris, France

Perinatal Center of Bakulevs Institute, Moscow, Russia

University Hospital, Kuala Lumpur, Malaysia

National Cancer Institute, Bangkok, Thailand

Beijing University People's Hospital, Beijing,
People's Republic of China

Gandhi Hospital, Secunderabad, India



Dr. Shakuntala Baliga
India

„Leisegang is one of the oldest and among the best manufacturers of medical precision instruments in the world.

The Leisegang colposcope has been called the 'Gold Standard' by the industry and doctors. The software is very suitable for gynecologists.“

Colposcopes

All Leisegang colposcopes have the following features:

- Convergent optical beam path for fatigue-free work
- Vivid, 3D image
- 300 mm working distance
- LED lighting:

With a colour temperature of 5,700-6,000 Kelvin for excellent contrast

With a lighting strength of 45,000-52,000 Lux (at a working distance of 300mm)

Only 10 W power consumption

The lamps have a long lifetime and therefore do not need to be replaced

Continuously variable adjustment

- Green filter for observation of blood vessels ¹
- Compensation for myopia and hyperopia through through adjustable oculars
- Standard colour Grey white (RAL 9002); Also available in all colours within the RAL colour system
- All Leisegang colposcopes are class 1 medical devices

¹ Excluding angle device



Standard Colposcopes €

The standard model for day to day consultations with various magnification settings, green filter, continuously adjustable LED lighting, compensation for ametropia from +7 to -7 diopters and 300mm working distance.

1E LED



Entry level model for everyday consultations:

- x 15 fixed magnification
- Adjustment drives for focus and height

1E LED Light



Economical entry level model. The working height is determined by the choice of stand:

- x 15 fixed magnification
- Simple tilt function, without fine-tuning



Findings provided by
Leisegang exclusive distributor SWSY,
China National Scientific Instruments & Materials Corporation

1D LED



Standard model with three magnification levels:

- Magnification adjuster for x 7.5/15/30 magnification
- Adjustment drives for focus and height
- **1DS LED**
As for 1D LED, but with x 3.75/7.5/15 magnification

1DW LED



As for 1D LED, but with comfortable 45° angled oculars.

NOTE: No green filter!



All Leisegang colposcopes¹ have adjustment drives for height (1), focus (2) and angle tilt (3):



¹ Except model 1E LED Light

Photo/Video Colposcopes CE

Colposcopes for users with more advanced requirements such as documentation or presentation of the examination image on a monitor. Highly dimmed lenses allow for a large depth of focus.

3ML LED



Photo/video colposcope for the documentation of examination results. Intended for the connection of external cameras:

- Magnification adjustor for x 7.5/15/30 magnification
- Integrated mono photo/video optics with the appropriate magnification
- Digital SLR camera or video camera can be connected
- **3MLS LED**
As for 3ML LED, but with x 3.75/7.5/15 magnification

3MLW LED



As for 3ML LED, but with comfortable 45° angled oculars

NOTE: No green filter!



Convenient mounting of cameras via the camera port:



3MVC LED USB



For the documentation of examination results in everyday consultations. With integrated camera:

- Magnification adjustor for x 7.5/15/30 magnification
- Integrated 1.3 Megapixel video camera
- USB 2.0 interface
- For connection to a PC or laptop
- Basic image viewing software ColpoSoft included with delivery, a foot switch must be ordered separately!
- **3MVCS LED USB**
As for 3MVC LED USB, but with x 3.75/7.5/15 magnification

3MVCW LED USB



As for 3MVC LED USB, but with comfortable 45° angled oculars

NOTE: No green filter!

Slim bottom shell due to integration of the video camera:



Photo/Video Colposcopes CE

3MVS LED Y/C NTSC



For presentation on a monitor. With integrated camera:

- Magnification adjustor for x 3.75/7.5/15 magnification
- Integrated video camera to the NTSC standard
- Y/C interface (S-video)
- For connection to an NTSC monitor. Including 5.00m cord

All models are also available in all colours within the RAL colour system



Stands

Leisegang offers various types of stands, which are either mobile or fixed to the gynecological examination chair.

They are characterized by an ease of use and a low space requirement.

All Leisegang stands are class 1 medical devices

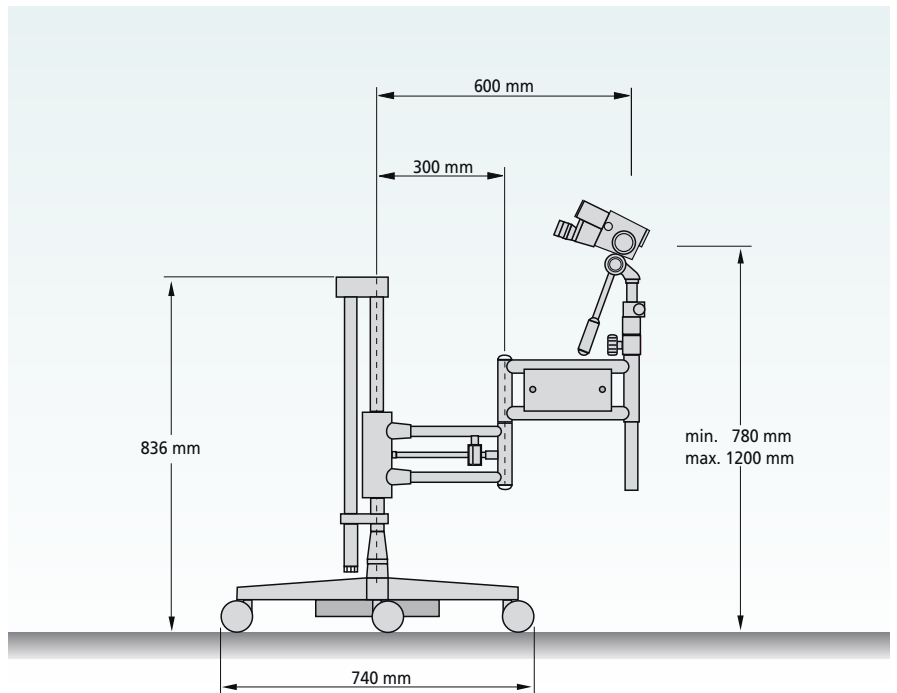


Stands

Balance-o-matic Stand

Comfortable work thanks to "weightless", free movement:

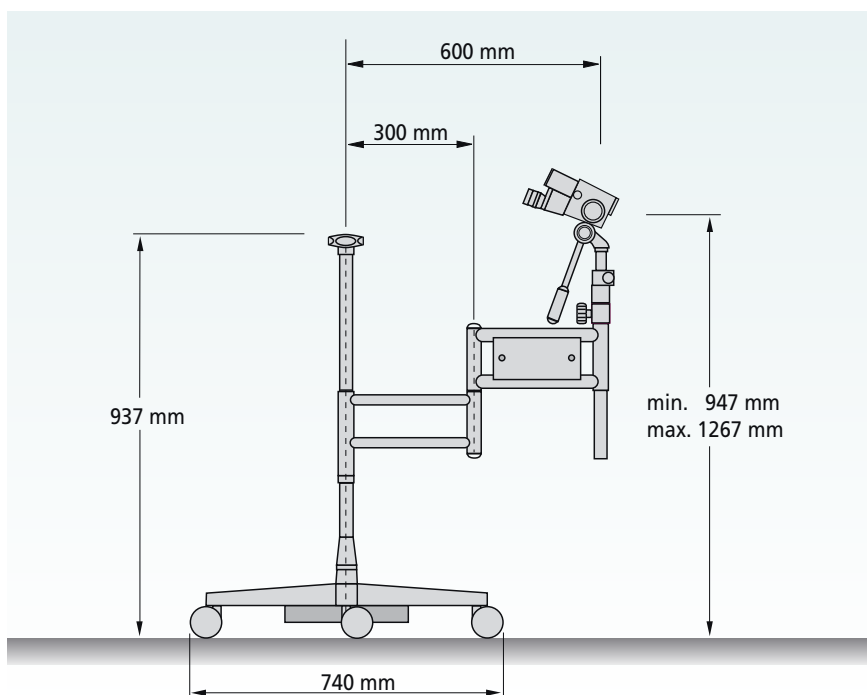
- Free horizontal movement within a radius of up to 600mm
- Space-saving due to foldable frame (radius when folded: 300mm)
- "Weightless" vertical movement due to balanced, effortless movement system
- Lockable
- Fixed mounting to examination chairs on the right or left is possible
- Five-wheel spider base allows for stand mobility
- A later conversion from chair to wheel mounting is possible



Swing-o-matic Stand

Solid design with low space requirement:

- Free horizontal movement within a radius of up to 600mm
- Space-saving due to foldable frame (radius when folded: 300mm)
- Vertical movement through manual adjustment and height drive
- Fixed mounting to examination chairs on the right or left is possible
- Five-wheel spider base allows for stand mobility
- A later conversion from chair to wheel mounting is possible



Stands

Upright Stand

Basic model:

- Rigid column with lightweight 5-wheel spider base
- Working height: 970–1090mm

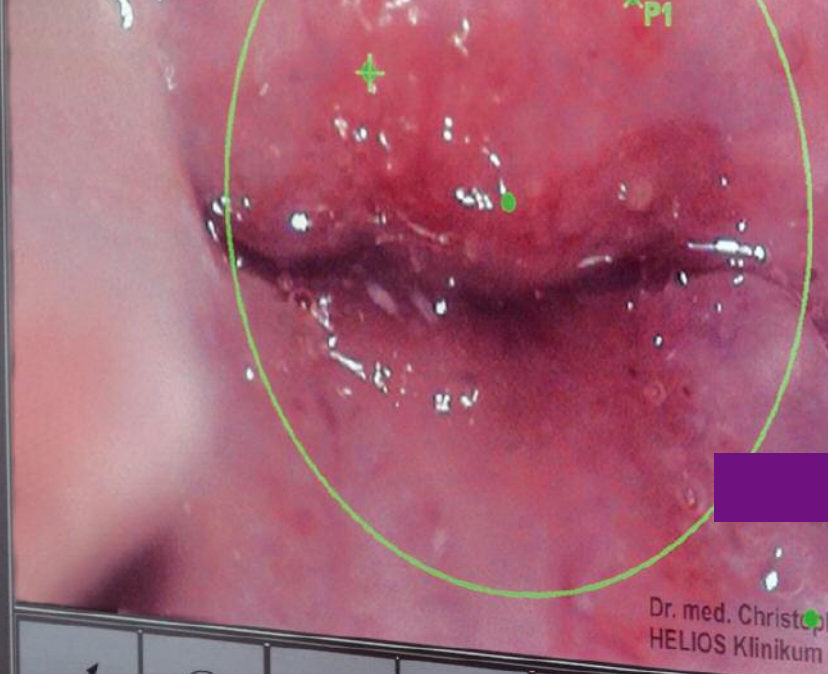


All models are also available
in all colours within the RAL colour
system

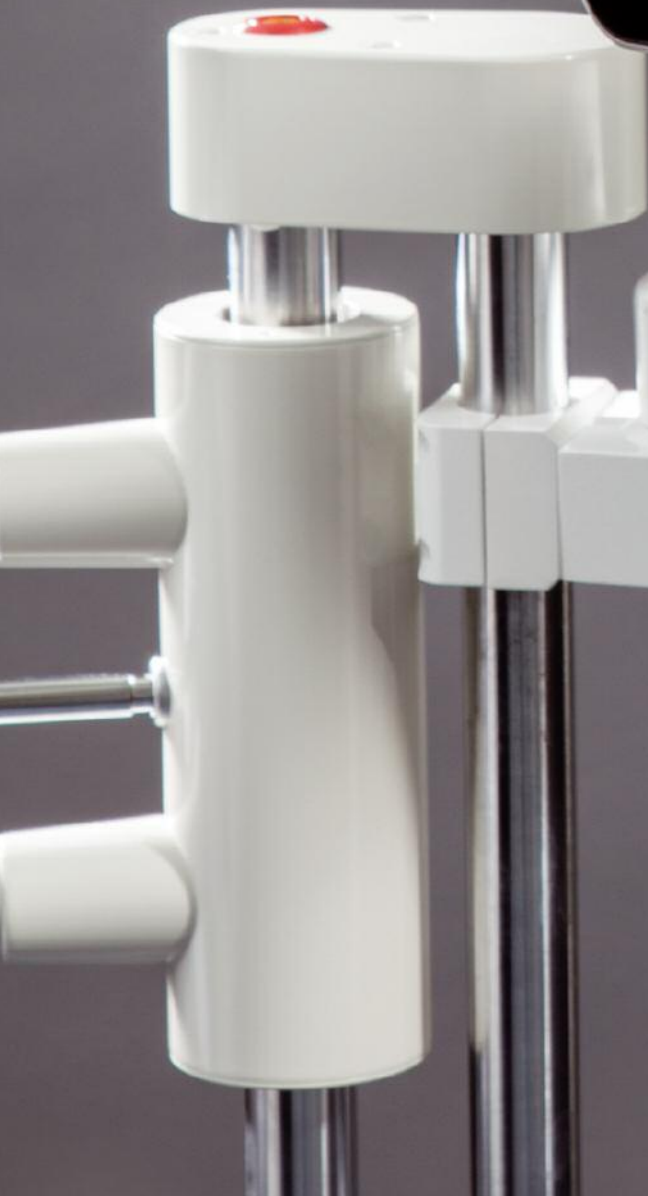


Associated equipment

MediaWorkStation COLPOSCOPY



Dr. med. Christoph
HELIOS Klinikum



Associated Equipment

Leisegang offers optimized accessories both for the documentation of findings and for surgical procedures.

Video Camera

Compact video camera:

- 1.3 Megapixel resolution
- CCD image sensor
- C-Mount lens connection
- USB 2.0 interface
- For connection to a PC, laptop or photo/video adaptor
- Images are available immediately
- Easy connection by video tube or photo/video adaptor
- ColpoSoft CD with drivers and basic image viewing software with delivery; a foot switch must be ordered separately!



Canon EOS

Canon digital SLR camera with extremely high resolution. In addition to everyday consultations, this camera is suitable for scientific publications and presentations:

- Model 550D and higher
- 18 Megapixel resolution
- CMOS image sensor
- Full HD Movies
- For connection to PC, laptop or monitor
- Easy connection with photo tube and T2 adaptor
- Including T2 adaptor
- Canon lens and HDMI cable not included; photo tube must be ordered separately



Photo/Video Adaptor C€

Adaptor for the retrofitting of standard colposcopes:

- x 15 fixed magnification
- Mounting kit included



Tray

For comfortable work with a laptop, free horizontal movement within a radius of up to 255mm. Suitable for Swing-o-matic stands or Balance-o-matic stands¹.

Available in all colours within the RAL colour system.



¹ To attach tray to chair mounted Swing-o-matic stand, please contact our customer service!



ColpoSoft

ColpoSoft includes the driver for the video camera and ColpoViewer, a basic documentation software:

- Camera driver for 3MVC LED USB
- ColpoViewer: easy recording and displaying of images, entering of patient name, data and defined saving location
- A foot switch must be ordered separately!



ColpoSoft is included in the delivery of the 3MVC LED USB model as well as the video camera.

MWS MediaWorkStation



MediaWorkStation organises image and video footage easily and efficiently. The software was optimised for colposcopy in collaboration with leading international gynaecologists. The result is a highly intuitive user interface that ensures an easy workflow.

Recording

- Recording of single frames and videos
- Preview of live image and frame capture with split display
- Release by software shutter release or foot switch

Annotating

- Entering of free text or text modules
- Text modules based on the current IFCCP nomenclature for colposcopy („Rio de Janeiro“, 2011)
- Inserting of graphical markers
- Mapping of colposcopic and histological findings

Exporting

- Export as file with embedded patient identification
- Direct printing of images with embedded patient identification
- HTML reports including images and patient data

Data base

- Structured recording in a data base
- User-defined text retrieval
- Automatic data base backup

effortless Documenting

An integrated images atlas supports appraisal as reference.

A DICOM Push and a DICOM Worklist interface can be purchased optionally.

MediaWorkStation software is a class 1 medical device.

The following language versions are available: German, English, French, Italian, Spanish, Russian, Turkish, Chinese



and Archiving



Please inform us about your requirements – we will be happy to advise you and find an individual solution for your application!

Panel PC with Touchscreen

Very slim and completely closed panel PC

- Convenient touch operation, with onscreen keyboard
- Full HD display with wide viewing angle
- IP20
- Hygienic design



How MediaWorkStation simplifies the management of your image and video data

- **User-friendly**
Easy recording, storing and accessing of footage by intuitive user interface
- **Customisable**
The software user interface can be customised and is available in several foreign languages
- **Save**
Unambiguous mapping of images and selected patient data, automatic data base backup

NOTE:
For chair mounting, a load carrying capacity of 32 kg is necessary



Keyboard

The alternative to touch screen:

- PC keyboard with touch pad
- USB interface
- Silicone coated and antimicrobial equipped surface
- IP68



Foot switch

- 2 pedals
- USB interface
- Cable length 3m

Quick Finder

Standard Colposcope

Model	Magnification		LED-lighting	Focus and height adjustment			45° Inclined Oculars	Green filter	Diopter Adjustment ± 7 Diopters
	x 15	x 3.75/7.5/15		x 7.5/15/30	Height	Focus			
1E LED Light	•					•			•
1E LED	•			•	•	•			•
1D LED			•	•	•	•			•
1DS LED		•		•	•	•			•
1DW LED			•	•	•	•	•		•

Photo/Video Colposcope

Model	Magnification		LED-lighting	Focus and height adjustment			45° Inclined Oculars	Green filter	Diopter Adjustment ± 7 Diopters
	x 3.75/7.5/15	x 7.5/15/30		Height	Focus	Tilt			
3ML LED		•	•	•	•	•		•	•
3MLS LED 1"	•		•	•	•	•		•	•
3MLS LED 1/2"	•		•	•	•	•		•	•
3MLW LED		•	•	•	•	•	•		•
3MVS LED Y/C NTSC	•		•	•	•	•		•	•
3MVC LED USB		•	•	•	•	•		•	•
3MVCS LED USB	•		•	•	•	•		•	•
3MVCW LED USB		•	•	•	•	•	•		•

Cameras

Model	Resolution			Mounting		Live Video	For which colposcope					
	1.3 MP	≥ 18 MP	≥ 460 TVL	Integrated	External		3ML LED	3MLW LED	3MVS LED Y/C NTSC	3MVC LED USB	3MVCW LED USB	
Videokamera	•			•	•	•	•	•			•	•
Canon EOS		•			•	•	•	•				
NTSC-Kamera			•	•					•			

Compatibility of Stands

Model	Light 5-wheel spider base	Heavy 5-wheel spider base (B0001500)	Special mounting Maquet Radius chair (BG001010)	Special mounting Maquet Radius chair (BG001020)	Special mounting Atmos Chair Gyne (Baisch) chair (B0001010)
Upright stand (BG000130)	•				
Swing-o-matic stand with column for 5-wheel spider base (BG001530)		•			
Swing-o-matic stand with short column for chair mounting, e.g. Schmitz Stuhl (BG000170)					•
Swing-o-matic stand without column for chair mounting (BG000160)			•		
Swing-o-matic stand with long column for examination tables e.g. (BG000180)					
Balance-o-matic stand (BG000135)		•		•	•

Orders

Phone +49 30-31 90 09-0
 Fax +49 30-31 35 992
 Email sales@leisegang.de

Item Number	Description
Colposcopes	
BG002380	Model 1E LED Light
BG002390	Model 1E LED
BG000280	Model 1D LED
BG000290	Model 1DW LED
BG002680	Model 1DS LED
BG005000	Model 3ML LED
BG005100	Model 3MLW LED
BG006700	Model 3MLS LED 1"
BG006750	Model 3MLS LED 1/2"
BG004780	Model 3MVS LED Y/C NTSC
BG005300	Modell 3MVC LED USB ¹
BG005400	Modell 3MVCW LED USB ¹
BG005380	Modell 3MVCS LED USB ¹
Stands	
BG000130	Upright stand with light 5-wheel spider base, only available as wheel mounting
BG001530	Swing-o-matic stand with wheel column for wheel mounting
BG000170	Swing-o-matic stand with short column for chair mounting (e.g. Schmitz, Atmos/Baisch)
BG000160	Swing-o-matic stand without column for chair mounting (e.g. Maquet Radius)
BG000180	Swing-o-matic stand with long column for examination tables, for example
BG000135	Balance-o-matic stand for wheel or chair mounting
B0001500	Heavy 5-wheel spider base
B0004411	Tray for Swing-o-matic stand and Balance-o-matic stand; to attach tray to chair mounted swing-o-matic stand, please contact our customer service!
Special Mounting	
B0001010	Special mounting Atmos Chair Gyne (Baisch) for Swing-o-matic stand and Balance-o-matic stand
BG001010	Special mounting Maquet Radius chair for Swing-o-matic stand
BG001020	Special mounting Maquet Radius chair for Balance-o-matic stand

Item Number	Description
Associated equipment ²	
E0000270	Video camera, 1.3 Megapixel, 1/3" CCD, C-Mount ¹
K0001000	Canon EOS SLR Digital camera, from Model EOS 550, 18 Megapixel, LiveView, only incl. T2 adaptor, without Canon lens
B0004260	Video tube for 1/3" to 1/2" cameras
B0004270	Video tube for video camera (Item no. E0000270)
E0000617	Photo tube 41 mm for T2 adaptor
B0002440	Photo/video adapter VID (x 15 fixed magnification)
K0004407	Basic image Viewing software ColpoSoft for video camera
K0004440	MWS – MediaWorkStation Software Basic
K0004480	MWS – MediaWorkStation Software Classic
K0004442	MWS – DICOM Push Interface
K0004483	MWS – DICOM Worklist Interface
K0004443	MWS – Touch Panel PC, DE, Language: German
K0004444	MWS – Touch Panel PC, INT, Language: International
K0004454	MWS – Panel PC support arm for mounting on five-wheel spider base
K0004453	MWS – Panel PC support arm for mounting on five-wheel spider base, with support for keyboard
K0004456	MWS – Panel PC support arm for chair mounting
K0004455	MWS – Panel PC support arm for chair mounting, with support for keyboard
K0004445	Keyboard for Panel PC, DE
K0004446	Keyboard for Panel PC, US
K0004410	Foot switch with 1 pedal, USB interface
K0004451	Foot switch with 2 pedals, USB interface

Note: Further accessories on request

¹ Basic image viewing software ColpoSoft included with delivery, a foot switch must be ordered separately!

² Other manufacturer

³ For chair mounting, a load carrying capacity of 32 kg is necessary

⁴ Keyboards for further languages on request

Product Finder

You have needs.

Standard Colposcopy

You are looking for a standard colposcope without photo/video function but it should be upgradable to a photo/video colposcope:

We have solutions!

Suitable colposcope:

1E LED x 15 fixed magnification
1D LED x 7.5/15/30 magnification
1DS LED x 3.75/7.5/15 magnification

For upgrading to photo/video colposcope, please use a photo/video adaptor and a camera.

Suitable stands:

Upright
Swing-o-matic stand
Balance-o-matic stand

Presentation

You want to show the patient what you are doing on a monitor:

Suitable colposcope:

3MVS LED Y/C NTSC
x 3.75/7.5/15 magnification,
integrated video camera,
Y/C (S-video) interface for connecting to an NTSC compatible monitor

Suitable stands:

Swing-o-matic stand
Balance-o-matic stand

Documentation

You want to capture pictures, save patients' records and documents:

Suitable colposcope:

3MVC LED USB
x 7.5/15/30 magnification,
integrated 1.3 MegaPixel video camera
Optional: MediaWorkStation software pre-installed on touch panel PC.

Suitable stands:

Swing-o-matic stand
Balance-o-matic stand

Documentation & Presentation

You want to capture pictures, save patients records and documents, and simultaneously show the patient or students what you are doing:

Suitable colposcope:

3MVC LED USB
x 7.5/15/30 magnification,
integrated 1.3 MegaPixel video camera
Optional: MediaWorkStation software pre-installed on touch panel PC.
Connection panel pc to an additional monitor with VGA cable or HDMI cable

Suitable stands:

Swing-o-matic stand
Balance-o-matic stand

Scientific Work

You teach, conduct research, deliver presentations, publish books or require detailed photo documentation in your patient records:

Suitable colposcope:

3ML LED
x 7.5/15/30 magnification,
Optional: MediaWorkStation software pre-installed on touch panel PC, digital SLR camera Canon EOS (please ask for the up-to-date model before ordering)

Suitable stands:

Swing-o-matic stand
Balance-o-matic stand

Training Centre

Leisegang offers individual training courses in colposcopy, our colposcopes, associated equipment, LEEP and Cryosurgery to domestic and foreign sellers, as well as interested doctors.

Training courses take place in our training centre in Berlin. Dates can be found on our website www.leisegang.de.

If you are interested in training in your own country, please contact our Leisegang Team (+49 30 319 009 0 or sales@leisegang.de).

Furthermore, it is also possible to take part in a training course at CooperSurgical in Trumbull, CT, USA. Please contact us and we will arrange an appointment for you.

We look forward to your visit!

Your Leisegang Team

Contacts

Dr. Thomas Kupferschmidt

Sales Director

Authorized Representative

Phone +49 30-31 90 09-0

Fax +49 30-31 35 99 2

Email t.kupferschmidt@leisegang.de

Claudia Brakop

Head of Quality Management

Authorized Representative

Phone +49 30-31 90 09-31

Fax +49 30-31 35 99 2

Email claudia.brakop@leisegang.de

Barbara Breitfeld

Sales / Customer Service

Phone +49 30-31 90 09-34

Fax +49 30-31 35 99 2

Email sales@leisegang.de

Andrea Böhm

Sales / Marketing

Phone +49 30-31 90 09-46

Fax +49 30-31 35 99 2

Email andrea.boehm@leisegang.de

Mustafa Sakrak

Technical Service

Phone +49 30-31 90 09-0

Fax +49 30-31 35 99 2

E-Mail service@leisegang.de

Karsten Bock

Technical Service LeiseCap Software

Phone +49 57 23-98 09 84

Email karsten.bock@leisegang.de

MES Medien Elektronik Software

Technical Service MWS Software

Phone +49 33 02-20 94 82 5

Email support@mediaworkstation.de

LEISEGANG 

THE COLPOSCOPE COMPANY

Leisegang Feinmechanik-Optik GmbH

Leibnizstraße 32

D-10625 Berlin, Germany

Phone +49-30-31 90 09-0

Fax +49-30-31 35 99 2

Email info@leisegang.de

Internet <http://www.leisegang.de>

A member of



Managing Directors:

Uwe Skirl, Kerry Blair, Alan Tucker

Regulatory and legal advice:

According to Annex IX of the 93/42/EEC Medical Devices Directive, Leisegang colposcopes are class 1 medical devices. Leisegang Feinmechanik-Optik GmbH has provided evidence in a conformity assessment procedure according to Annex VII of the Medical Devices Directive that Leisegang colposcopes meet the essential requirements as in Annex I of this Directive. All devices carry the CE mark, signifying compliance with these requirements.

Copyright: ®, ™, etc.

Product or company names mentioned in this catalogue may be brands or trade names of the respective owners.

Technical and design changes reserved.

For further information please visit our website:

Just scan the QR code with a smart phone and a QR code app.



Doc.no: K0000671
Revision : 4.0
Date of issue: 10.2015

with compliments

